

Sandbox Milo with panels

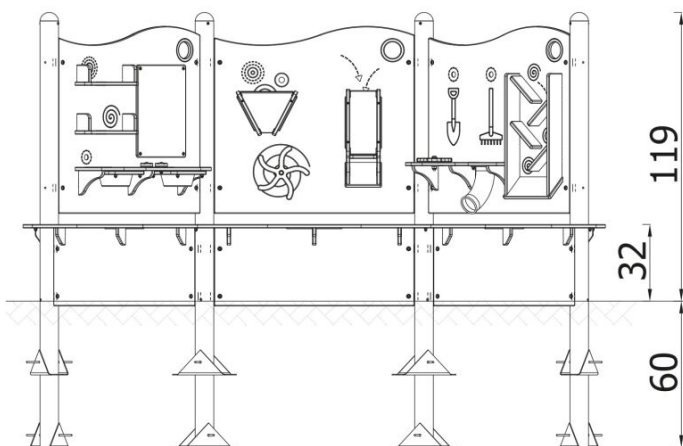
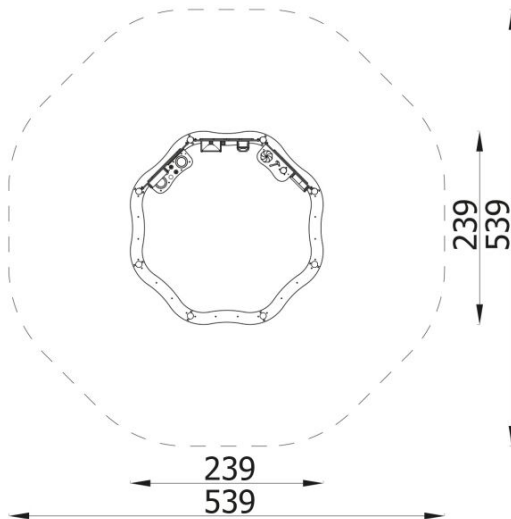
37169

DESCRIPTION

Sandboxes are an indispensable element of any playground. Playing in the sand helps develop motor skills and coordination and provides an opportunity to make new friends. The sandbox is surrounded by a bench made of polypropylene board and features interesting manipulative panels for engaging sand play.

WARNING! The device is sold without sand.

Construction: structural elements made from stainless steel, sides and seats made from HDPE board; Anchoring: directly in the ground; Seats: made from extremely durable HDPE polyethylene board; Panels: made from flexible high-pressure polyethylene HDPE (15 mm); Fittings and connectors: made from stainless steel.



INFORMATION

Number of users	8
Age range	
Device dimensions [m]	2,39 x 1,19 x 2,39
Compliance with the norm	
Spare parts	

SAFETY SURFACE

Zone	Max height of fall [m]	Area [m ²]	Perimeter of safety zone [m]
A			
B			
C			