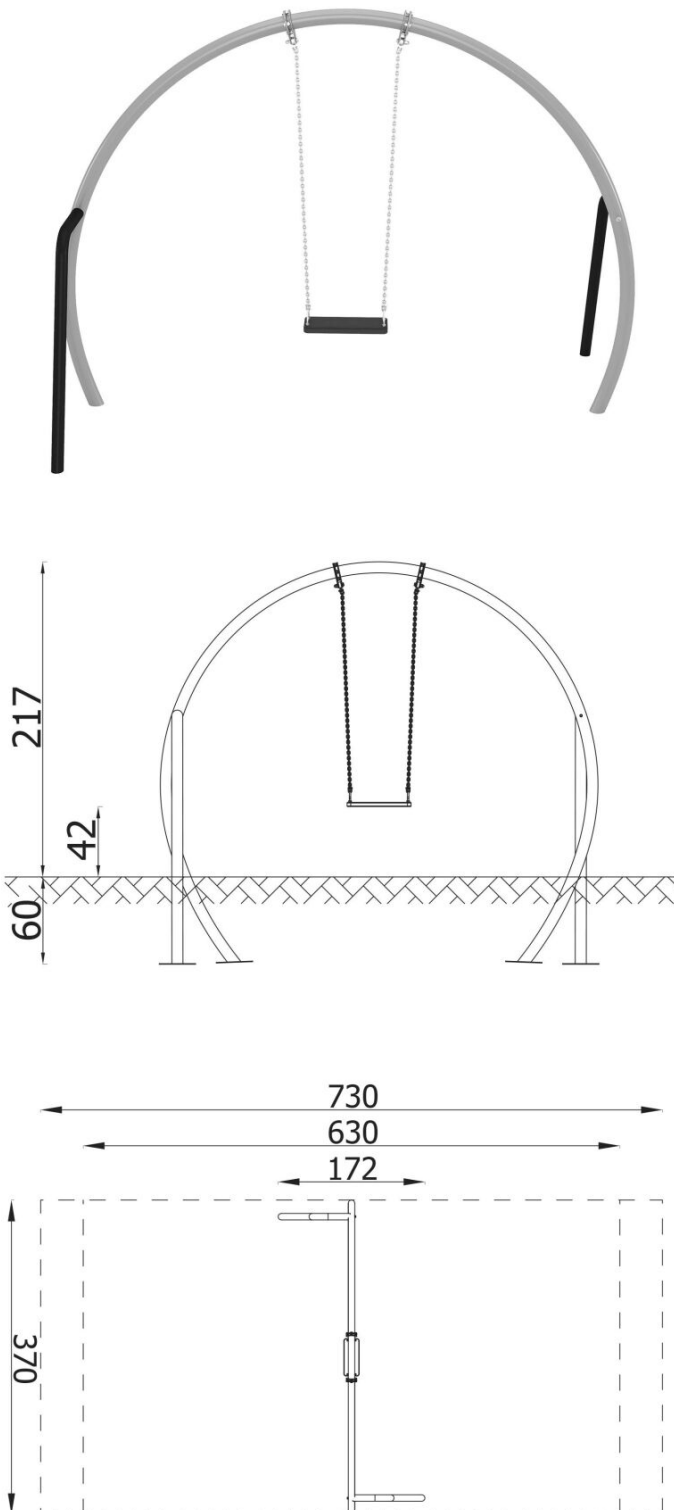


Swing Serpentine with stainless steel pipe

3155SN

DESCRIPTION

Made of the highest quality materials, stable and durable, traditional swing in a modern version, designed for one child. It will provide unforgettable fun for both children and seniors. Swing provides many positive emotions, shapes the sense of balance and stimulates the nervous system.



INFORMATION

Number of users	1
Age range	3 - 14
Device dimensions [m]	3.7 x 2.17 x 1.72
Compliance with the norm	EN 1176
Spare parts	

SAFETY SURFACE

Zone	Max height of fall [m]	Area [m ²]	Perimeter of safety zone [m]
A	1.22	27	22
B			
C			